



TR15RA SERIES

15W SWITCHING ADAPTER

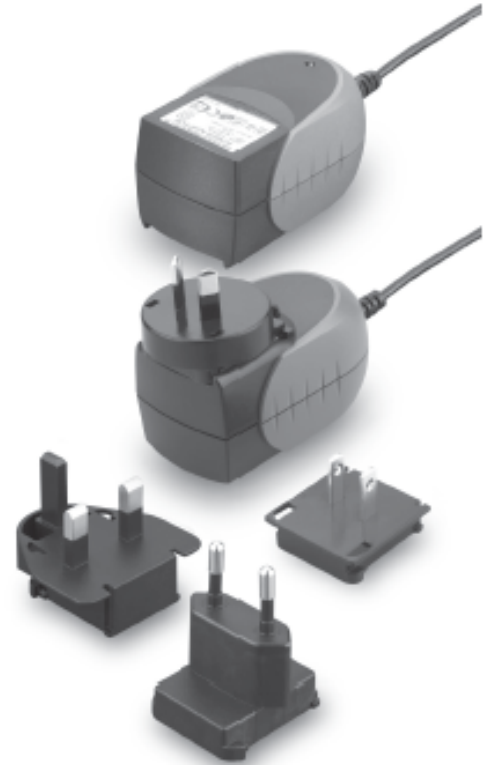


Features

- * Universal Input Range 90-264VAC
- * Meets EN55022 Class "B"
- * Continuous Short Circuit Protection
- * Interchangeable AC Plugs
- * Over Voltage Protection
- * Meet CEC & ErP Level V
(Output Cable Length \leq 1800mm)

Ordering information

| TR15RAXXX | - XX | E XX | - | XX | -BK |
|-----------|--------------|------------------------------|---|------------------------|-----|
| Model No. | DC Plug Type | DC Cable Length and Type | | Color of Overmold Case | |
| | | 01: 720mm | | BE: Blue | |
| | | 02: 1220mm | | GY: Gray | |
| | | 03: 1800mm | | RD: Red | |
| | | 11: 720mm with Ferrite Core | | PE: Purple | |
| | | 12: 1220mm with Ferrite Core | | OR: Orange | |
| | | 13: 1800mm with Ferrite Core | | | |
| | | * 18AWG / UL1185 | | | |



| MODEL | OUTPUT VOLTAGE | MAX. LOAD | MIN. LOAD | RIPPLE & NOISE | VOLTAGE ACCURACY | LINE REGULATION | LOAD REGULATION | %EFF. (Typ) |
|-----------|----------------|-----------|-----------|----------------|------------------|-----------------|-----------------|-------------|
| TR15RA050 | 5V | 2.0A | 0A | 1% | $\pm 3\%$ | $\pm 1\%$ | $\pm 4\%$ | 73% |
| TR15RA060 | 6V | 1.7A | 0A | 1% | $\pm 2\%$ | $\pm 1\%$ | $\pm 3\%$ | 74% |
| TR15RA090 | 9V | 1.4A | 0A | 1% | $\pm 2\%$ | $\pm 1\%$ | $\pm 2\%$ | 77% |
| TR15RA120 | 12V | 1.1A | 0A | 1% | $\pm 2\%$ | $\pm 1\%$ | $\pm 2\%$ | 78% |
| TR15RA150 | 15V | 1.0A | 0A | 1% | $\pm 2\%$ | $\pm 1\%$ | $\pm 2\%$ | 79% |
| TR15RA180 | 18V | 830mA | 0A | 1% | $\pm 2\%$ | $\pm 1\%$ | $\pm 2\%$ | 79% |
| TR15RA240 | 24V | 625mA | 0A | 1% | $\pm 2\%$ | $\pm 1\%$ | $\pm 2\%$ | 80% |

Specifications are subject to change without notice.

Specifications

INPUT SPECIFICATIONS:

Voltage 90~264Vac
 Frequency 47 to 63Hz
 Inrush Current 50A max. @240Vac
 Leakage Current 0.25mA max.

OUTPUT SPECIFICATIONS:

Hold-up Time 10ms typ. @115Vac
 Short Circuit Protection Continuous(Auto Recovery)
 Over Voltage Protection TVS Component to Clamp
 Temperature Coefficient $\pm 0.05\% / ^\circ\text{C}$

GENERAL SPECIFICATIONS:

Isolation Input to output = 4,242VDC
 Operating Temperature 0 ~ 60°C (see derating curve)
 Storage Temperature -20~85°C
 Humidity 93% RH max. Non condensing
 Cooling Natural Convection
 Switching Frequency 80KHz Typical
 MTBF MIL-HDBK-217F, GB, at 25°C/115VAC 200K hrs min.
 Altitude 2000m
 Dimensions 3.173x1.885x1.705Inches (80.60x47.90x43.30mm)
 Weight 150g(0.33 Pounds)

SAFETY AND EMC:

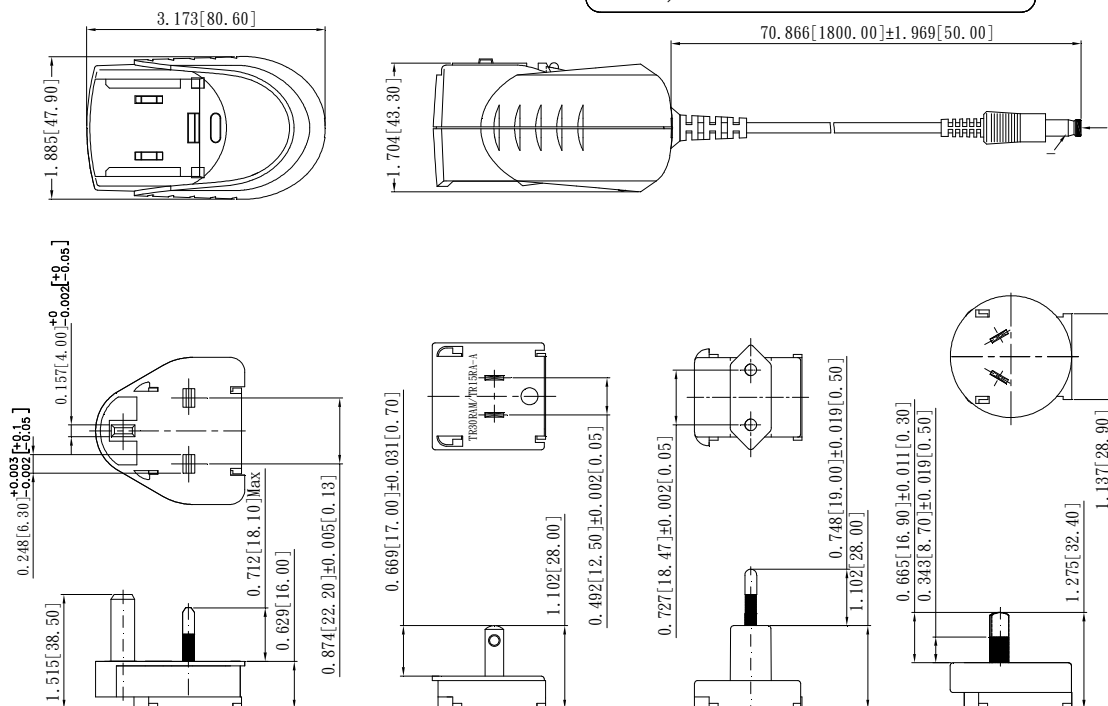
Emission and Immunity EN55022 Class B, EN61000-6-3
 EN61000-3-2, EN61000-3-3, EN55024, EN61204-3, EN61000-6-1
 Safety IEC60950-1, EN60950-1, UL60950-1

Mechanical Specification

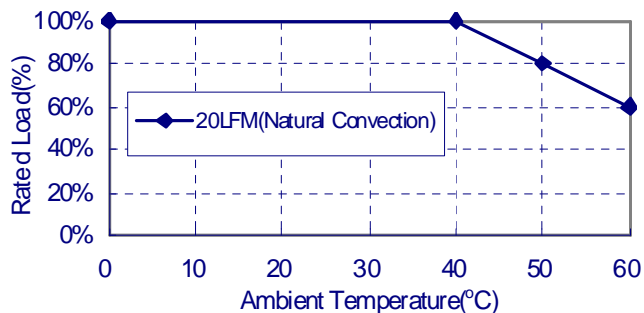
All Dimensions are in inches(mm)

Tolerance: Inches: X.XXX \pm 0.02

Millimeters: X.XX \pm 0.5



TR15RA Series Derating Curve



NOTE:

1. Voltage setpoint at 60% full load
2. Add a 0.1uF ceramic capacitor and a 10uF E.L. capacitor to output for Ripple & Noise measuring @20MHz BW.
3. Line regulation measured from 100Vac to 240Vac, full load.
4. Load regulation measured from 60% to full load and from 60% to 20% load (60% +/- 40% load)
5. "Various TR Series adapters are PSE certified. PSE certification alone is not sufficient for importation into Japan. A valid PSE mark must contain the name of the importer as shown in the example below. If PSE mark is required, the name of the registered importer must be supplied to Cincon on order placement. Product labels will not contain PSE mark if importer name is not supplied. Consult factory or local representative for details"

